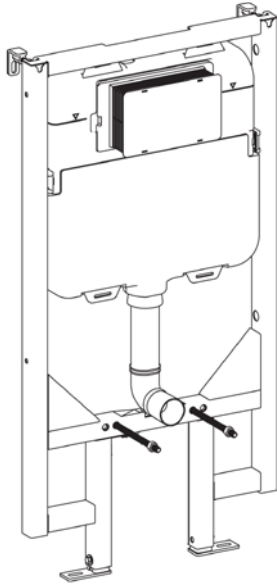


INWALL C200 CISTERN WITH FRAME

SUITS WALL HUNG TOILET PAN / SLIM CISTERN FOR STANDARD WALL

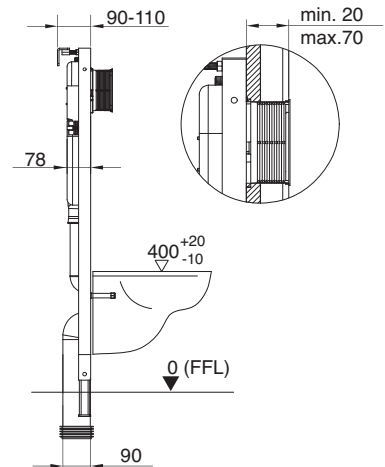
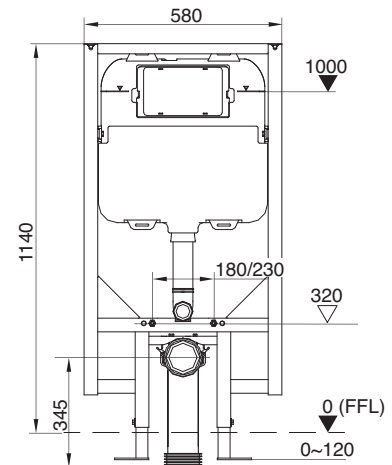
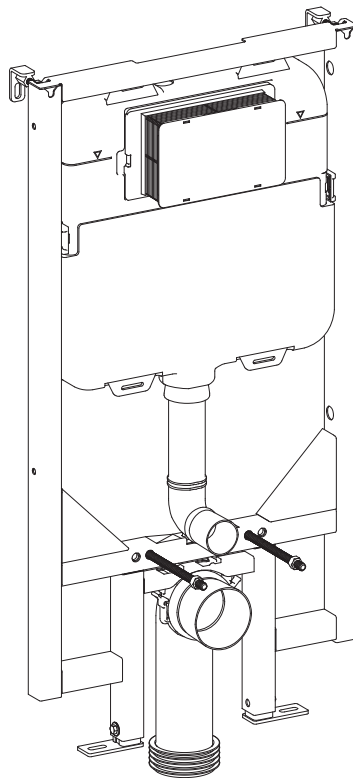


Slim in-wall cistern with frame to suit wall hung pan

This in-wall cistern is part of the Seima InWall toilet system. The cistern is activated through pneumatic flush buttons.

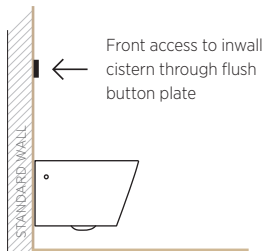
- Suits wall hung toilet pan.
- Slim cistern design for installation in a standard wall.
- Front access through flush plate.
- Fully insulated by anti-condensation foam to prevent moisture escape.
- Powder coated galvanised steel frame for durability.
- Easy to install.
- Innovative design allows the cistern to be serviced through the flush plate.

ORDER CODE	191808	Inwall C200 cistern w frame	[old code: STO-C200]
ACCESS	Front access through flush plate.		
FRAME	Powder coated galvanised steel.		
WELS	4 star rating 4.5/3 litre water saving flush (Reg O4737).		
PAN	Suits wall hung pan.		
BUTTONS	Compatible with the full range of Seima flush buttons.		
INSTALLATION	Refer to installation instructions for details.		



INSTALLATION TYPE B

Wall hung pan + Slim cistern with frame
(Inwall Cistern C200)



Front access to inwall
cistern through flush
button plate

SEIMA

bathroom | kitchen | laundry

seima.com.au

Please note

- Installation shall be in accordance with AS/NZS3500.
- All measurements are in millimetres. Height dimensions are to base of pan. Make allowance for bedding.
- Bedding: Pan may be bedded with cement base or using silicone sealant.
Fix pan to floor using a sand cement mixture of 3:1 to a depth of 60mm. Do not use lime or fast-drying cement.
- Bracket fixing: The pan should be bedded with silicone sealant and fixed with the brackets supplied.
Do NOT use epoxy type adhesives.
- Dimensions are nominal and subject to normal ceramic manufacturing variations.
- Specifications may vary without notice as part of our continuous improvement practices.
- Clean with a damp cloth. Do not use abrasive cleaners, liquids or pastes.

DS-Toilet-InwallC200 / v 2.0